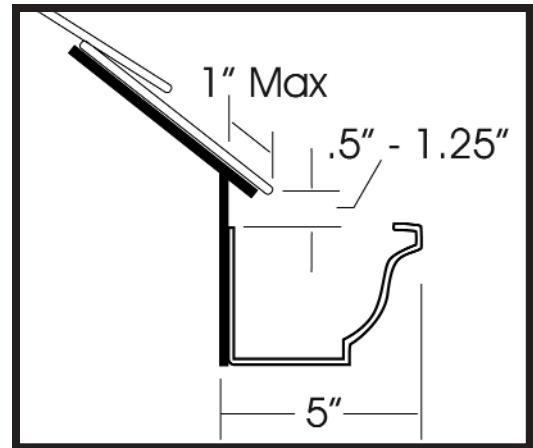


BEFORE YOU BEGIN

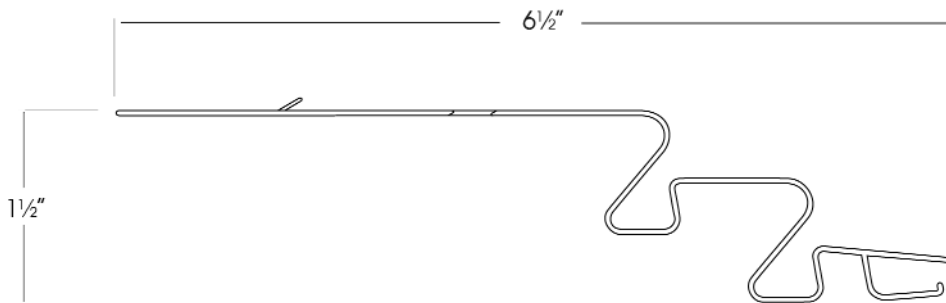
The WaterFall Gutter Guard System is designed to be easily installed on 4" and 5" K-style gutters. It may also be installed on 5" half round and 6" K-style gutters when used in conjunction with our adapter clips. It's important to read and understand these directions before installation. The WaterFall may not perform properly unless installed in accordance with these manufacturer recommended directions.



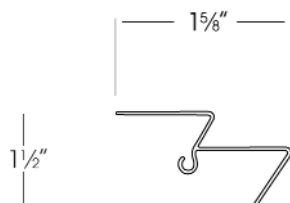
1. Fully unpack the WaterFall product and make sure you have the same lineal footage of the product and the same number of connection clips as indicated on the shipping carton.
2. You may also need a few tools to install WaterFall. You'll need a saw to cut the WaterFall System to length and to miter the corners (a hacksaw, circular saw or miter box can be used). You may also need a claw hammer to maneuver the WaterFall once it's on the gutter.
3. Before installation, be sure to clean out any debris in the gutters. Gutters should slope no more than 1/4" - 1/2" every 20 feet. Gutters should be positioned no less than 1/2" and no more than 1 1/2" below the drip edge (shingle). The gutter should be positioned so that the shingles extend no more than 1" over gutter (see drawing).



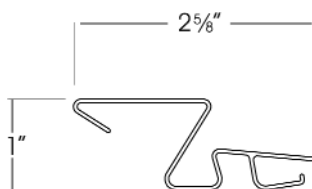
TECHNICAL DRAWINGS



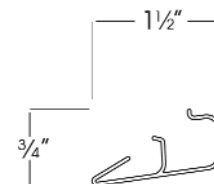
WaterFall Gutter Guard
Available in white and clay
4' and 8' lengths



WaterFall Splice Clip



WaterFall 6" Adapter



WaterFall Half Round Adapter